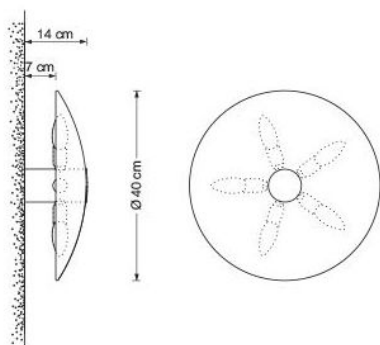


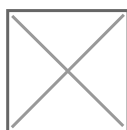
Florian Schulz

Gela 40 spare glass



Technical details

Kraj produkcji



Producent

Florian Schulz

Projektant

Florian Schulz

tworzywo

szkło mleczne

Średnica w cm

40

Dimensions

H 7 cm | Ø 40 cm

Opis

This replacement glass by Florian Schulz is suitable for the Gela 40 wall and ceiling lamp. It is made of white, high-quality opal glass and has a diameter of 40 cm. It is supplied without glass holder. Please indicate the surface of your lamp when ordering.