

BOT

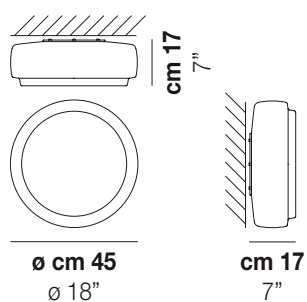
Design Gregorio Spini

BOT PL 45



A collection that represents the idea of a volume in motion that generates a new one. The concept is also a reminiscence of the process of glass blowing in which the incandescent glass contains the light before it even has a definitive shape.

BOT PL 45



TECHNICAL DATA:



CERTIFICATIONS:



LIGHT SOURCES

Light Source	Power	Voltage	Frequency	Beam Angle	Light Output	Control
2x77W	220-240 V	50/60 Hz		E27		
LED 2700K DIM2	1x19 W	39 V			Led 2700 K 19 W 39 V 2850 lm DIM2 Phase Cut	
LED 2700K DIM3	1x19 W	39 V			Led 2700 K 19 W 39 V 2850 lm DIM3 0-10V, Push	

VOLUME	Mc 0
GROSS WEIGHT	Kg 0
NET WEIGHT	Kg 10,5

[download](#)



SHADE FINISHING



BCCR

FRAME FINISHING



BC