


ALIBABIG floor lamp

Matteo Ugolini design


year 2012

TECHNICAL SHEET - H625V-EXT

STRUCTURE "A"

material	fiberglass	
colour	white	

ELECTRICAL CABLE "C"

material	neoprene	
colour	green	

ELECTRICAL SYSTEM

socket	E27
source	max 4x23w
energy class	from E to A++

PACKAGING

nr. of collis	1
net weight/kg	11
gross weight/kg	16,1
packaging/cm	62x75x139

EMISSION OF LIGHT

one-directional

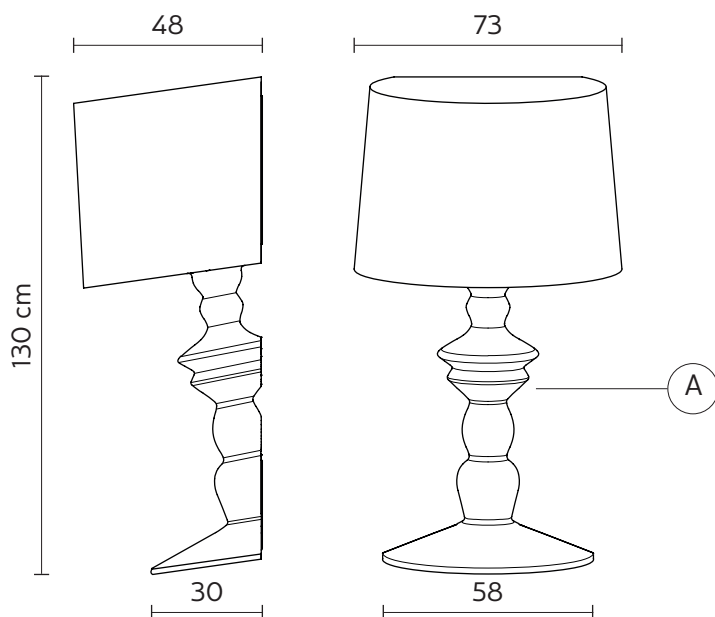


CERTIFICATION

IEC	60598-1:2008
EN	60598-1:2008 + A11:2009



IP rate	IP65
bulb	class A equipped



COLLECTION

available also as: tavolo, wall lamp and suspension

